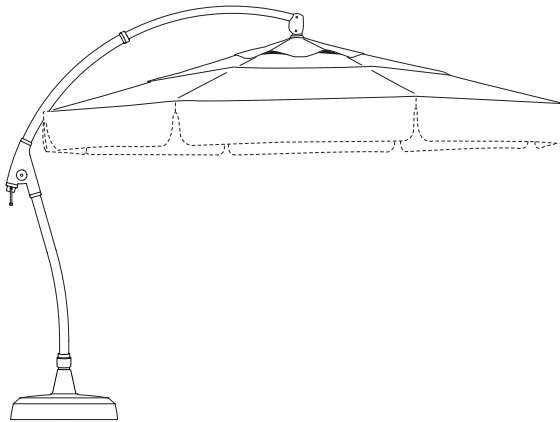


 TREASURE GARDEN

AG28 11'oc **Cantilever**

Assembly and Operation Guide



WARRANTY:

Treasure Garden warrants this product (in residential use) to be free from defects in original materials and workmanship for a period of 1 year from the date of purchase. If a defect in the original material or workmanship appears during the warranty period; Treasure Garden will (at its option) repair or replace the product without charge. Limited warranty against fabric fading, depending on fabric grade.

Simply contact your original authorized Treasure Garden dealer with a description of the defect. The dealer will verify the defect and work closely with Treasure Garden to obtain the necessary service. In many cases, simple problems can be solved with a replacement part that can be shipped directly to the dealer for professional installation/repair.

In the event that warranted factory service is required, Treasure Garden will assume the responsibility of the return freight charges on warranted product for the first year only.

Returned product that (upon receipt and inspection) is deemed to be "not covered" under our warranty, will be shipped/billed at your expense.

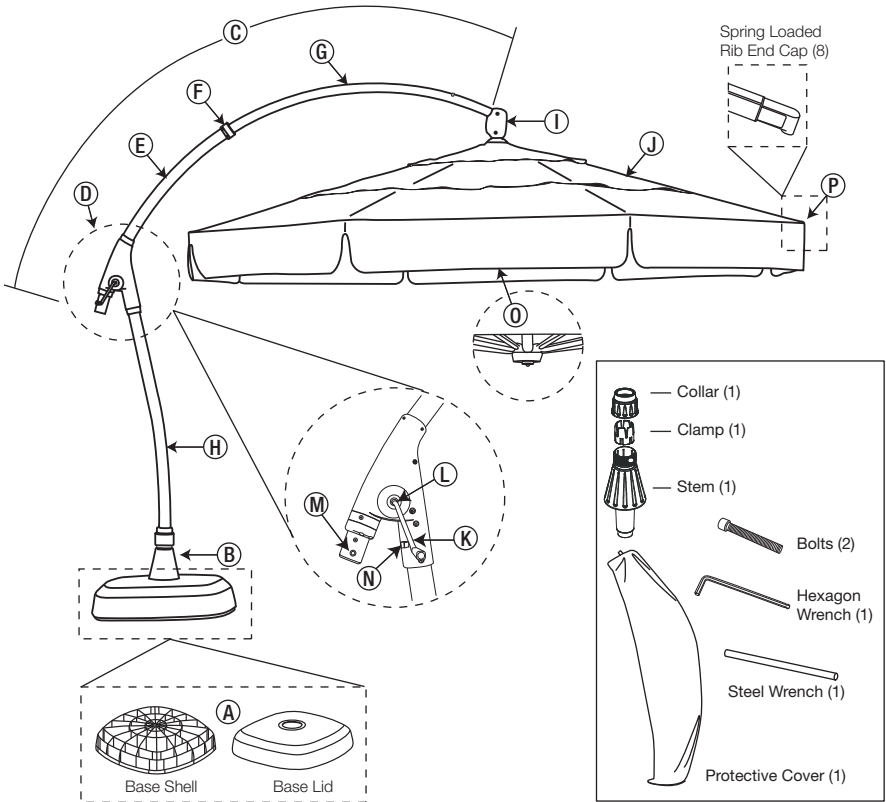
This warranty gives you specific legal rights, and you may have other rights which vary from state to state.

NOTE: Failure caused by unreasonable or abusive use, or failure caused by neglect of reasonable and necessary care are not covered by this warranty.

Additionally, acts of nature (including but not limited to wind, hurricanes, tornadoes, and storms) are not covered by this warranty.

AG28 CHECKLIST

- | | |
|---|---|
| <p>A - Base Shell and Base Lid
 B - Collar Base Stem
 C - Main Frame
 D - Housing
 E - Outer Frame Arm
 F - Arm Connector
 G - Inner Frame Arm
 H - Bottom Pole</p> | <p>I - Gemel Hinge
 J - Double Wind Vent Canopy
 K - Removable Crank Handle
 L - Socket A - <i>To open and extend arm</i>
 M - Socket B - <i>To open canopy</i>
 N - Crank Handle Storage
 O - Vega™ Light Adapter
 P - Spring Loaded Rib End Cap</p> |
|---|---|




REQUIRED FOR ASSEMBLY:


- 200 lbs. playground sand (not included).
- NOTE:** Avoid allowing sand into the center of the base shell.

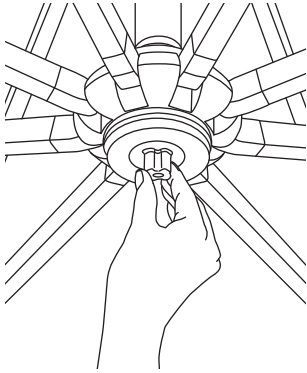


To Attach an Umbrella Light:

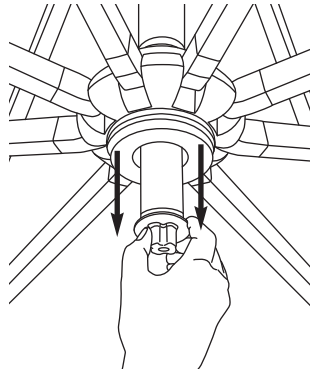
Loosen the light adapter built into the umbrella runner by turning counter-clockwise  (Fig. 20). After loosening, pull down light adapter post (Fig. 21) to attach the umbrella light (sold separately).

To Remove Umbrella Light and Close Adapter:

Remove VEGA umbrella light, and gently push up the light adapter post back into umbrella runner and tighten turning clockwise (Fig. 20). 




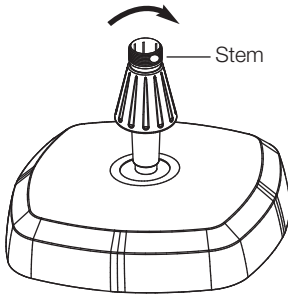
(Fig. 20)



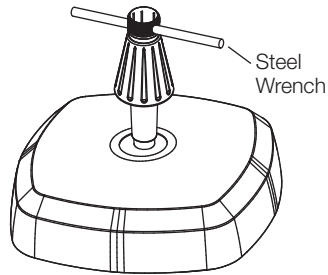
(Fig. 21)

STEP 2 Assemble AG28 Collar Base Stem

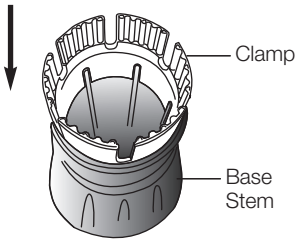
Re-insert the base stem into the base shell. Turn collar base stem in a clockwise  motion to engage threading (Fig. 5). Insert steel wrench provided into holes on top of stem and tighten (Fig. 6). **NOTE:** To avoid damage to your base, do not over-tighten base stem. With ribbed side up, insert clamp onto base stem and align gaps with base stem grooves (Fig. 7). Attach collar to top of the base stem by engaging threading. *Do not completely tighten before inserting AG28 umbrella* (Fig. 8).



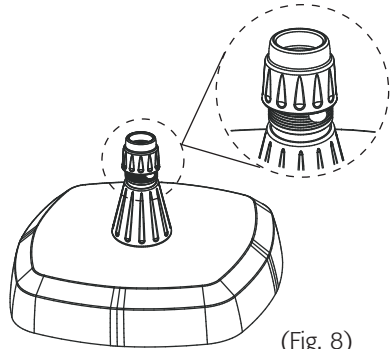
(Fig. 5)



(Fig. 6)




(Fig. 7)




(Fig. 8)

STEP 4 Opening and Closing

To Open and Extend Arm:

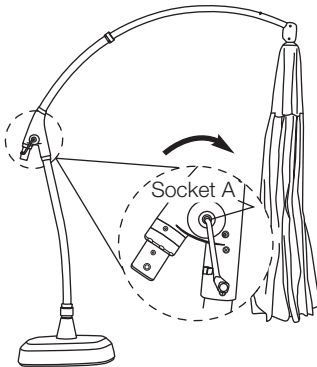
Insert crank handle fully into socket A (Fig. 13), crank handle will snap into place, then slowly crank the handle clockwise  until crank handle stops and arm is fully extended. **CAUTION:** Arm must be fully extended before retracting. Do not over crank, as it will damage your umbrella.

To Open Canopy:

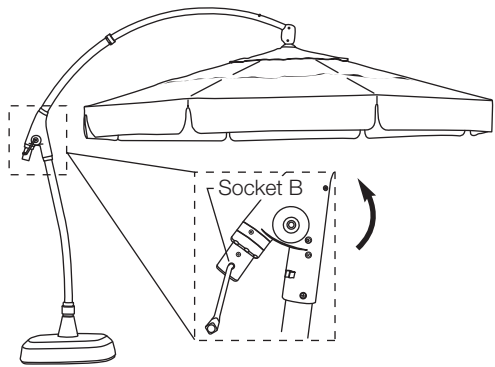
Insert crank handle fully into socket B (Fig. 14), crank handle will snap into place, then slowly crank the handle clockwise  until canopy is completely open and hub is inserted under center pole and crank handle stops.

To Close Canopy:

Set canopy to horizontal position and turn crank handle socket B counter-clockwise. 




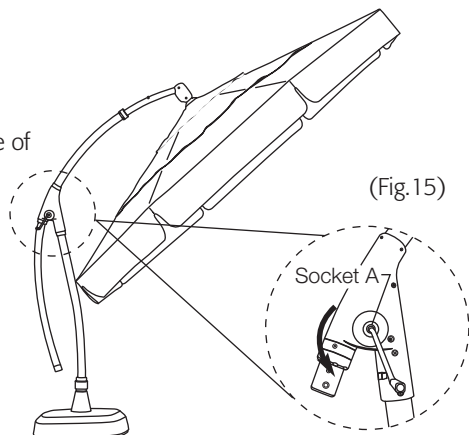
(Fig.13)



(Fig.14)

To Adjust Vertical Shade:

Insert crank handle into socket A (Fig. 15) and slowly crank counter-clockwise  to desired degree of vertical shade.



(Fig.15)