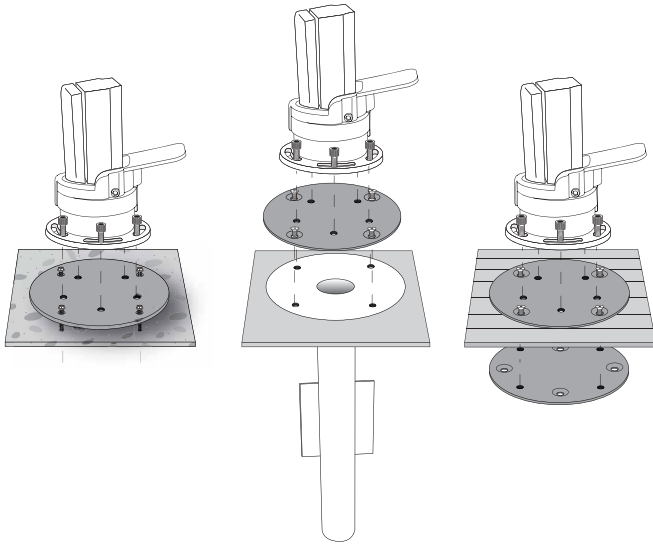


Assembly Guide



MOUNT KIT



AMK-C *Concrete Mount Kit*



AMK-G *In-Ground Mount Kit*



AMK-W *Wood Mount Kit*

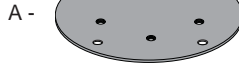
Thank you for purchasing Treasure Garden's Mount Kit.
Please remove all contents from the package, inspect and review checklist.

CHECKLIST

AMK-C Concrete Mount Kit checklist:

A - (1) Adapter Plate (8.5" diameter)

B - (4) Screw Anchors 3/8" x 3"



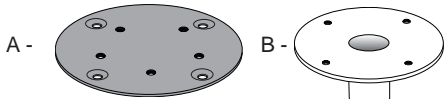
AMK-G In-Ground Mount Kit checklist:

A - (1) Adapter Plate (8.5" diameter)

B - (1) In-Ground Fitting

C - (4) Stem Bolts

D - (1) Hex Wrench



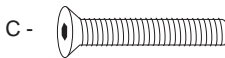
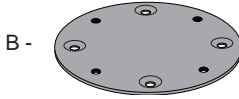
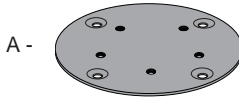
AMK-W Wood Mount Kit checklist:

A - (1) Adapter Plate (8.5" diameter)

B - (1) Base Plate

C - (4) Round Countersunk Bolts

D - (1) Hex Wrench

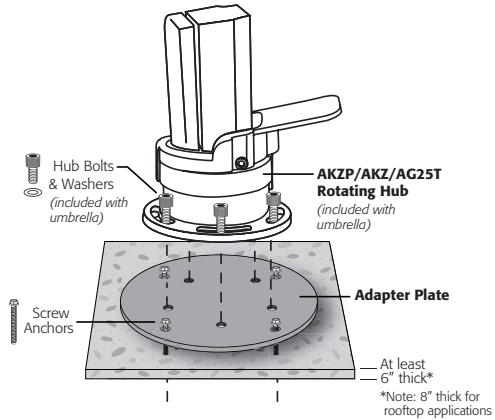
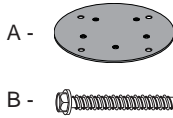


AMK-C CONCRETE MOUNT KIT

AMK-C Concrete Mount Kit includes:

A - (1) Adapter Plate (8.5" diameter)

B - (4) Screw Anchors $3/8" \times 3"$



STEP 1 BOLT ADAPTER PLATE

Final installation hardware should be determined by and professionally installed by a license contractor.

- Bolt the adapter plate (countersunk holes faced down) to an existing concrete slab (or through no thicker than 1" pavers or tiles adhered to a concrete slab) using the supplied screw anchors.
- Use a $5/16"$ masonry drill bit for holes.

STEP 2 BOLT ROTATING HUB TO ADAPTER PLATE

- Align rotating hub holes with adapter plate holes.
- Insert (5) hub bolts and tighten using hex wrench to secure.

Note:

- Rotating hub, hub bolts/washers and hex wrench are included with umbrella.

STEP 3 ATTACH UMBRELLA

- Slide frame over the newly mounted rotating hub.
- See your umbrella instruction manual for further assistance.

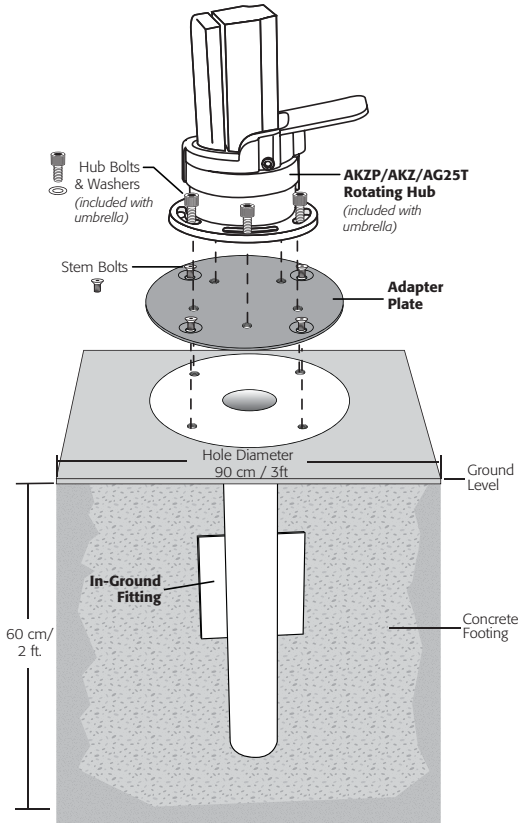
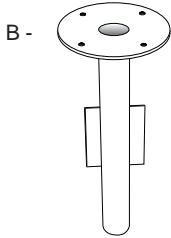
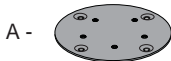
REMOVAL:

- To remove your umbrella for seasonal storage or to move it to another base plate or in-ground fitting, simply undo the hub bolts and remove umbrella from the adapter plate.

AMK-G IN-GROUND MOUNT KIT

AMK-G In-Ground Mount Kit includes:

- A - (1) Adapter Plate (8.5" diameter)
- B - (1) In-Ground Fitting
- C - (4) Stem Bolts
- D - (1) Hex Wrench



STEP 1 PREPARATION

Final installation hardware should be determined by and professionally installed by a license contractor.

- Dig an approximate 60 cm/2 ft. deep by 90 cm/3 ft. wide hole.
- Insert in-ground fitting and pour mixed concrete into hole around fitting. Make sure in-ground plate is level.
- To make the adapter plate flush with the concrete, recess the in-ground fitting 3/8" below the finished surface.

Note:

- Do not get slurry in the screw threads. Either apply tape over the holes on both sides of the fitting or place the stem bolts in the threads and remove them when the concrete is almost set.

STEP 2 BOLT ADAPTER PLATE

- Once concrete has cured, bolt adapter plate onto in-ground fitting.
- Insert (4) countersunk stem bolts through adapter plate.
- Tighten all (4) countersunk stem bolts with supplied hex wrench.

STEP 3 ATTACH ROTATING HUB

- Align rotating hub holes with adapter plate holes.
- Insert (5) hub bolts and tighten using hex wrench to secure.

Note:

- Rotating hub and hub bolts are included with umbrella.

STEP 4 ATTACH UMBRELLA

- Slide frame over the newly mounted rotating hub.
- See your umbrella instruction manual for further assistance.

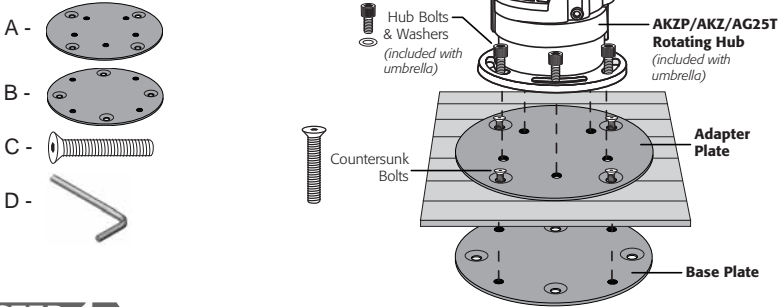
REMOVAL:

- To remove your umbrella for seasonal storage or to move it to another base plate or in-ground fitting, simply undo the hub bolts and remove umbrella from the adapter plate.

AMK-W WOOD MOUNT KIT

AMK-W Wood Mount Kit includes:

- A - (1) Adapter Plate (8.5" diameter)
- B - (1) Base Plate
- C - (4) Round Countersunk Bolts
- D - (1) Hex Wrench



STEP 1 ADAPTER PLATE

Final installation hardware should be determined by and professionally installed by a license contractor.

- Locate adapter plate and place in desired location on the deck. The adapter plate should overlap two deck planks equally.
- Adjust the base plate so that the proper alignment is ensured.

STEP 2 DRILLING DECK PLANKS

- Mark the four countersunk holes onto the deck for drilling.
- Drill four 10mm / 13/32" holes through the deck boards for the round countersunk bolts.
- Remove enough deck screws or nails from these boards to be able to install base plate underneath the boards.

STEP 3 ATTACH BASE & ADAPTER PLATES TO DECK BOARDS

- Using four (4) countersunk bolts, attach the base plate and adapter plate together, with the base plate under the deck and the adapter plate on top of the deck boards. Note: If deck is thicker, longer bolts may be required. Your licensed contractor can help determine appropriate size bolts.
- Insert the (4) countersunk downward through the top of the countersunk holes on adapter plate, through the boards, and screw them into the threaded holes in the bottom base plate.
- Tighten all (4) countersunk bolts with supplied hex wrench.

STEP 4 FASTEN DECK BOARDS

- Refasten the deck boards to the joists by attaching removed screws from Step 2 into the original holes closest to the base plate.
- Two structural deck screws should be used on either side of the base plate in each board.

STEP 5 ATTACH ROTATING HUB

- Align rotating hub holes with adapter plate holes.
 - Insert (5) hub bolts and tighten using hex wrench to secure.
- Note: Rotating hub, hub bolts/washers and hex wrench are included with umbrella.

STEP 6 ATTACH UMBRELLA

- Slide frame over the newly mounted rotating hub. See your umbrella instruction manual for further assistance.

REMOVAL:

- To remove your umbrella for seasonal storage or to move it to another base plate or in-ground fitting, simply undo the hub bolts and remove umbrella from the adapter plate.

SAFETY PRECAUTIONS

- To reduce personal injury and damage, read and follow this Assembly Guide.
- Close and store the umbrella in windy conditions or when a storm approaches. Never allow the umbrella to flap in the wind; this could damage the canopy.
- Do not leave open umbrella unattended.
- When adjusting the umbrella, make sure that no person(s) or item(s) are close to the umbrella. This is important to prevent injury or material damage.

DISCLAIMER:

The AMK mounting kit should only be professionally installed by a licensed contractor duly qualified to perform the installation. Treasure Garden® assumes no liability and expressly disclaims any responsibility for injuries or damages arising from or related to the failure of buyer to have the AMK mounting kit installed by a licensed professional contractor. Treasure Garden makes no warranty except as expressly stated herein, and no warranty except Title to Materials furnished shall be implied with respect to this order.

DISCLAIMER OF WARRANTIES:

Except as herein expressly set forth, this product is sold "as is" and "with all faults", and without any implied warranty of merchantability -- which warranty is hereby expressly excluded. This product is sold **without any implied warranty of fitness for a particular purpose -- which warranty is hereby expressly excluded.** Moreover, there are no warranties which extend beyond the description on the face hereof."

WARRANTY:

Treasure Garden warrants this product (for residential use ONLY) to be free from defects in original materials and workmanship for a period of 1 year from the date of purchase. If a defect in the original material or workmanship appears during the warranty period; Treasure Garden will (at its discretion) repair or replace the product without charge.

Simply contact your original authorized Treasure Garden dealer with a description of the defect. The dealer will verify the defect and work closely with Treasure Garden to obtain the necessary service. In many cases, simple problems can be solved with a replacement part that can be shipped directly to the dealer for professional installation / repair.

There are no serviceable parts within this product. Tampering with or altering the product will void warranty.

In the event that warranted factory service is required, Treasure Garden will assume the responsibility of the return freight charges for the first year only.

Returned product that (upon receipt and inspection) is deemed to be "not covered" under our warranty, will be shipped / billed at your expense.

This warranty gives you specific legal rights, and you may have other rights which vary from state to state.

RUST: Rust is a natural part of the aging process of steel or iron based materials, and is therefore NOT considered a defect.

NOTE: Failure caused by unreasonable or abusive use, or failure caused by neglect of reasonable and necessary care are not covered by this warranty.

Additionally, acts of nature (including but not limited to wind, hurricanes, tornadoes, and storms) are not covered by this warranty.



www.treasuregarden.com

©2021 Treasure Garden, Inc. - All Rights Reserved.
v.02.08.21